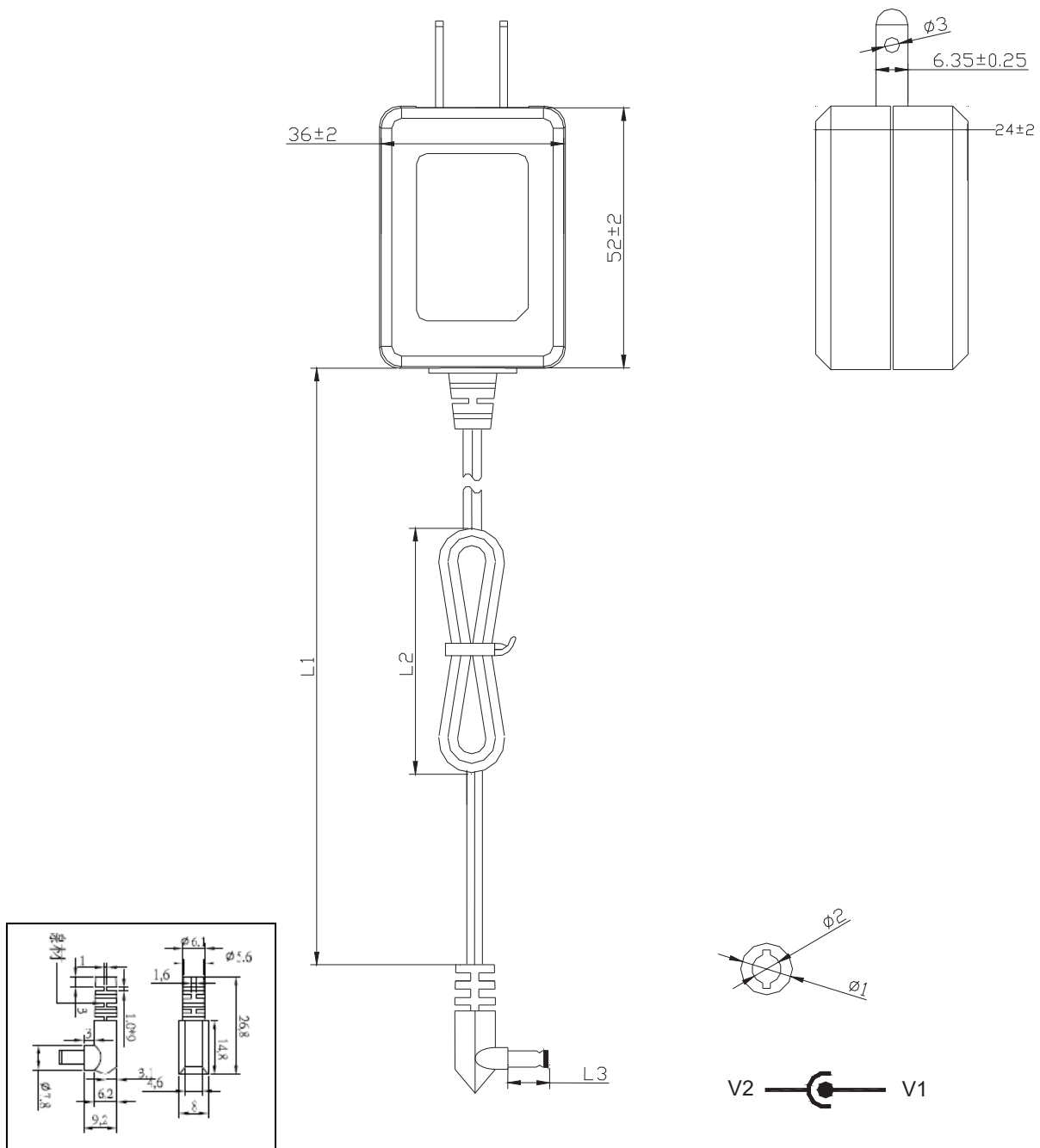


## 2. MECHANICAL DRAWING

### 2.1 OUTLINE



Number	Type		
DC Wire	UL 2468 22AWG x 2C x 1.5M SRB395 BLK	L1	1500±90 mm
		L2	70±10 mm
DC plug	3.5±0.2(φ1)x1.35±0.1(φ2)x12±0.5(L3)mm Deg90 音叉卡沟 泰岳模號:P-A87	V1	+OUTPUT
		V2	GND
* plug appearance according to the actual shipment delivery.			